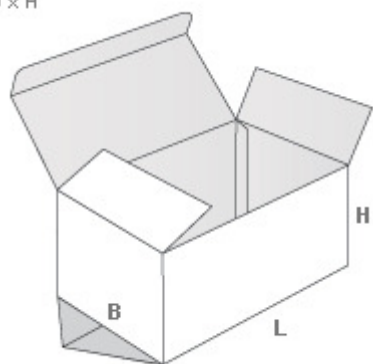
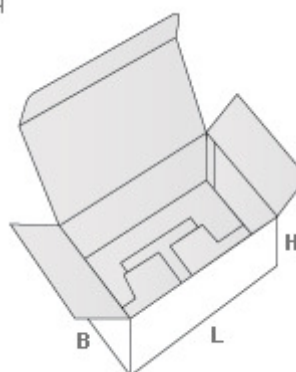


$L \times B \times H$



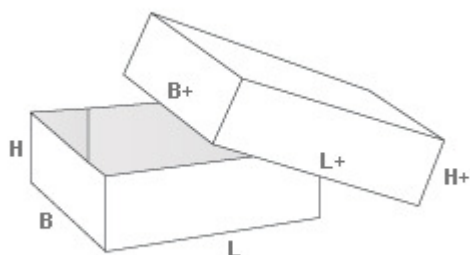
Ref. code: F0211

$L \times B \times H$



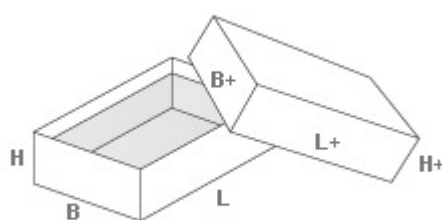
Ref. code: F0215

$L \times B \times H$
 $L+ \times B+ \times H+$



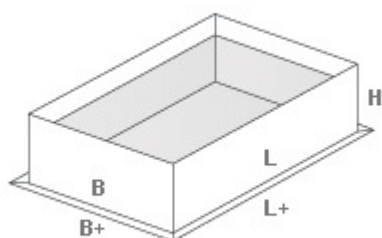
Ref. code: F0301

$L \times B \times H$
 $L+ \times B+ \times H+$



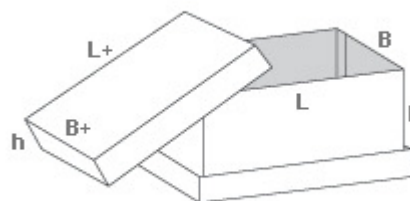
Ref. code: F0302

$L \times B \times H$
 $L+ \times B+$



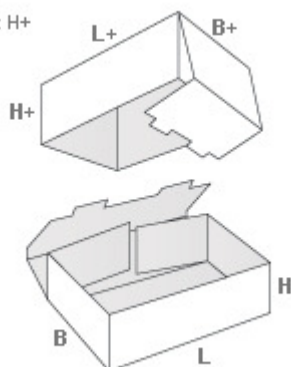
Ref. code: 362

$L \times B \times H$
 $L+ \times B+ \times h$



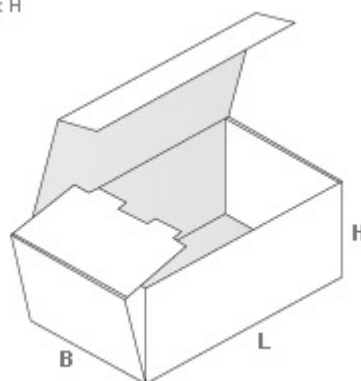
Ref. code: F0310

$L \times B \times H$
 $L+ \times B+ \times H+$



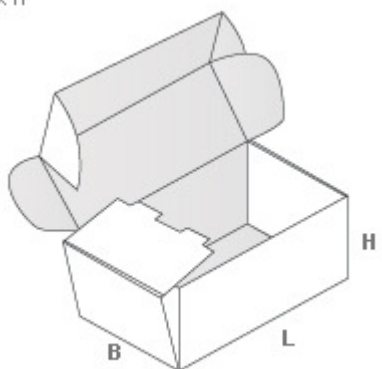
Ref. code: F0330

$L \times B \times H$



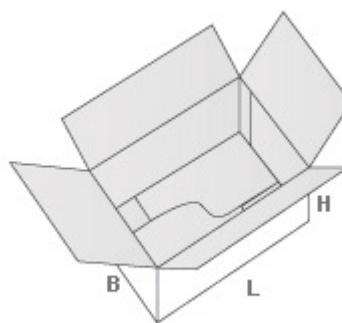
Ref. code: F0421

L×B×H



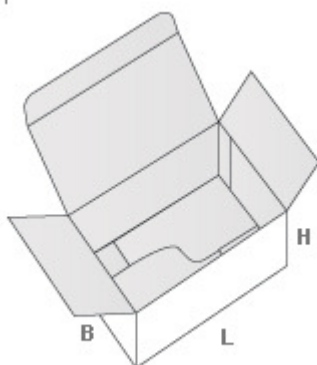
Ref. code: F0427

L×B×H



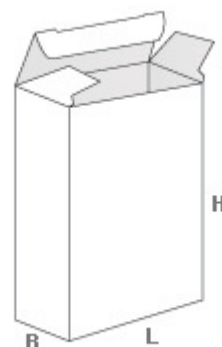
Ref. code: F0712

L×B×H



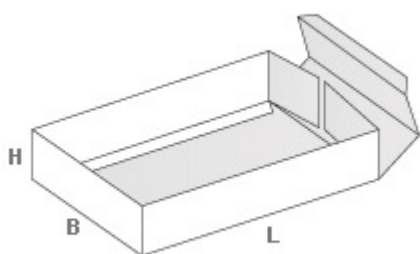
Ref. code: F0713

L×B×H

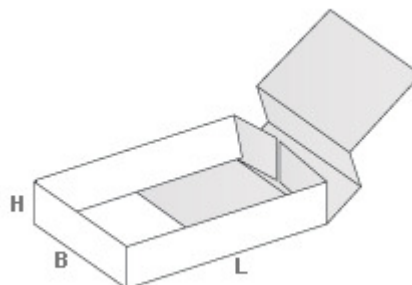


Ref. code: 122.07.ARD

L×B×H

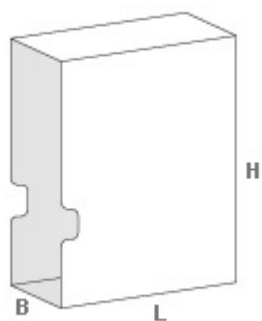


L×B×H



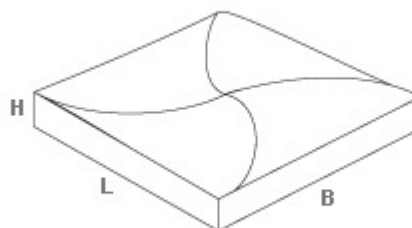
Ref. code: 112

L×B×H



Ref. code: 115

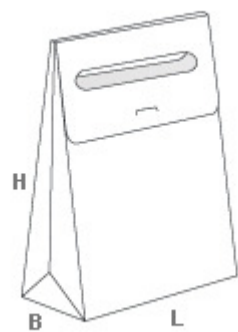
L×B×H
L=B



Ref. code: 142

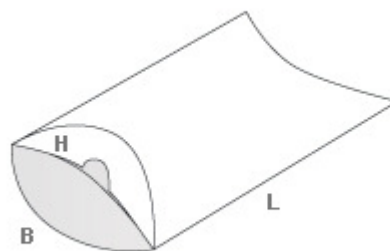
Ref. code: 160

L x B x H



Ref. code: 168

L x B x H



Ref. code: 305
